



HIGH PRODUCTIVITY SWIFT
VERTICAL MACHINING CENTER

SVM

4100 · 5100L



DN SOLUTIONS

SVM 4100 • 5100L

The SVM series vertical machining center has been developed to meet the increased demand for the machining of aluminum die castings in the Automotive and IT industries. In addition, it can be used for general-purpose light-duty machining of steel parts. The machine's performance has been optimized to provide shorter cycle times by improving the acceleration/deceleration times of the XYZ axes and spindle, thereby reducing the non-cutting times. In order to design a machine that can handle a wide range of parts, DN Solutions has created a machine with the largest machining envelope in its class, together with many other important features such as thermal displacement correction for the direct-drive spindle and the EZ work.



SVM series is a lightweight cutting optimization product that boasts excellent production performance and provides final production efficiency to customers who process lightweight materials such as aluminum.



NON-CUTTING TIMES HAVE BEEN DRASTICALLY REDUCED TO REALIZE THE HIGHEST PRODUCTIVITY IN ITS CLASS.

- Acceleration/Deceleration rates for the spindle and axis drives have been optimized to ensure high productivity.
- Tool change times (T-T-T and C-T-C) have been improved to reduce the non-cutting time between machining operations.

OPTIMIZED MACHINE DESIGN FOR FAST MACHINING OF LIGHTWEIGHT MATERIALS.

- A range of features are available to meet the customers' machining requirements, such as the automatic ATC shutter and programmable coolant nozzles.

SPINDLE RELIABILITY AND THERMAL DISPLACEMENT OPTIMIZATION

- The thermal displacement correction function is applied as standard to optimize machining accuracy and to compensate for temperature variations in the surrounding environment.
- DN Solutions's direct connection spindle motor technology is applied to minimize noise and vibration and ensure a high level of reliability over long periods of operation.
- Grease lubrication is used as standard to reduce running costs and provide an eco-friendly operation.

BASIC STRUCTURE

The SVM machine incorporates DN Solutions's traditional C-frame design structure, but has been optimized for higher productivity when undertaking fast and light duty machining operations.

Travel distance (X x Y x Z axis)

SVM 4100

X-axis **770** mm 30.3 inch

Y-axis **410** mm 16.1 inch

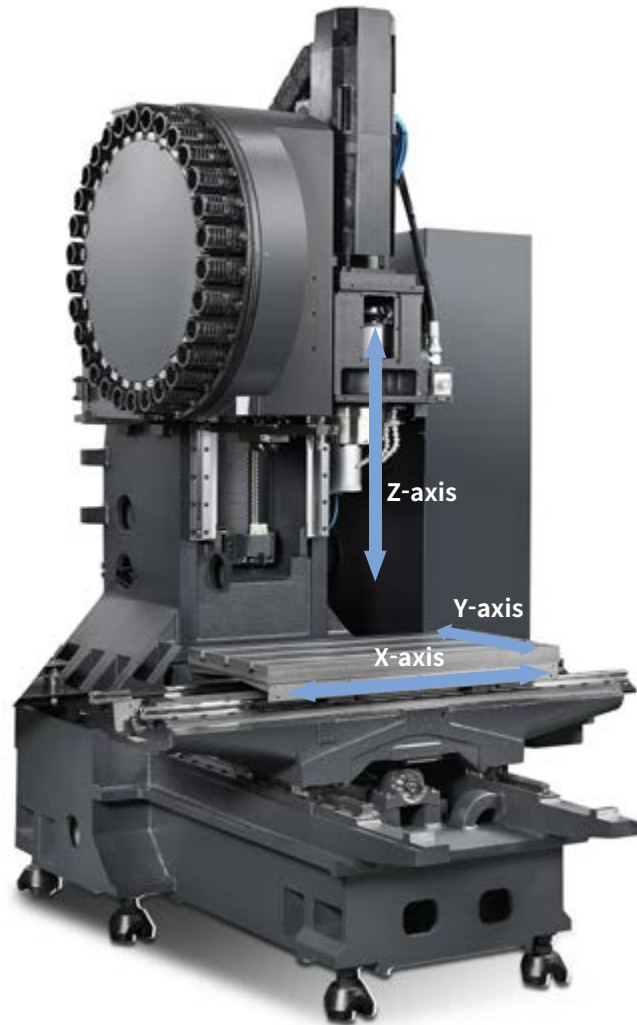
Z-axis **510** mm 20.1 inch

SVM 5100L

X-axis **1270** mm 50.0 inch

Y-axis **510** mm 20.1 inch

Z-axis **510** mm 20.1 inch



AXIS SYSTEM

Non-cutting times have been drastically reduced by optimizing the acceleration/deceleration rates for the axis feed systems.

Rapid traverse rate (X / Y / Z axis)

36 / 36 / 36 m/min

1417.3 / 1417.3 / 1417.3 ipm

Acceleration/deceleration time (G)

SVM 4100

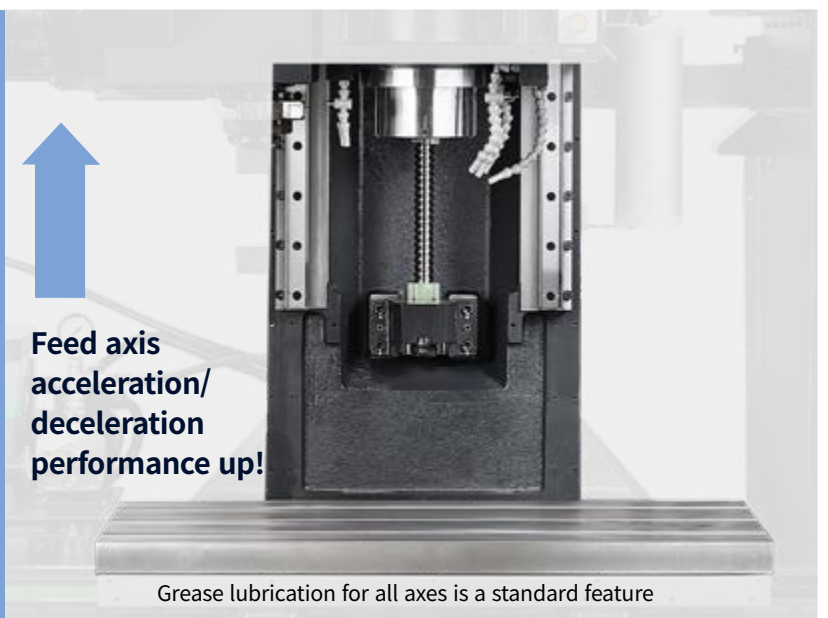
0.7 / 0.6 / 0.6

SVM 5100L

0.6 / 0.5 / 0.6



Feed axis
acceleration/
deceleration
performance up!



Grease lubrication for all axes is a standard feature

SPINDLE

Optimized machine table size and maximum allowable load capacity provide the largest machining area in its class.

Max. spindle speed

12000 r/min

Max. spindle motor power

18.5 kW
24.8 Hp

Max. spindle motor torque

95.5 N·m
70.5 ft-lbs



TABLE

The direct connection type spindle is supplied as standard. The noise and vibration levels are reduced to improve operator comfort.

Table size (A x B)

SVM 4100

920 x 410 mm 36.2 x 16.1 inch

SVM 5100L

1320 x 510 mm 52.0 x 20.1 inch

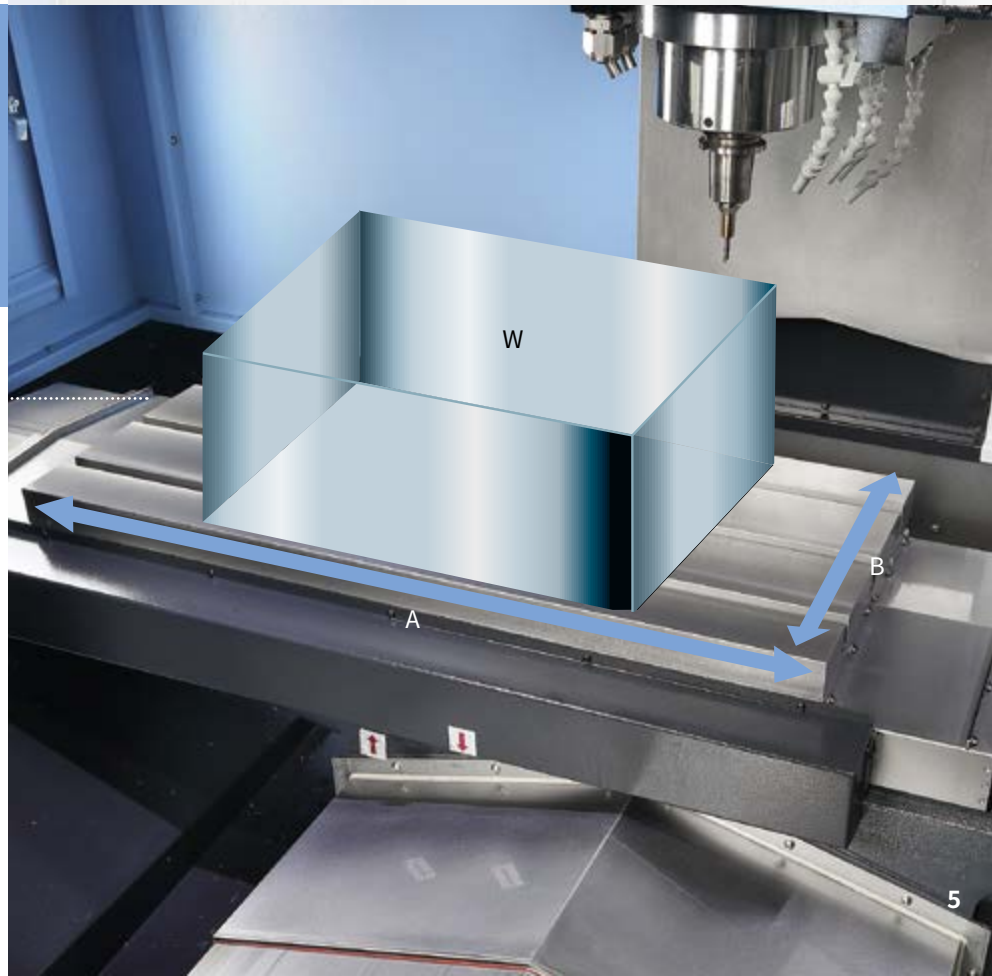
Max weight on table (W)

SVM 4100

600 kg
1322.8 lb

SVM 5100L

800 kg
1763.7 lb



MACHINING PERFORMANCE

The SVM machines have excellent machining capabilities and can handle a full range of operations such as face milling, end milling, U-drilling, and tap machining. Productivity is improved productivity by optimizing non-cutting time.

Cutting performance

Face mill (ø80mm (3.15 inch)), z(*) : 6 Carbon steel (SM45C)			
Chip removal rate cm ³ /min (inch ³ /min)	Spindle speed r/min	Feedrate mm/min (ipm)	
460.8 (28.1)	1500	3600 (141.7)	
Face mill (ø80mm (3.15 inch)), z(*) : 6 Aluminium(AL6061)			
Chip removal rate cm ³ /min (inch ³ /min)	Spindle speed r/min	Feedrate mm/min (ipm)	
1728 (105.4)	1500	9000 (354.3)	
End mill (ø30mm (1.2 inch)) Carbon steel (SM45C)			
Chip removal rate cm ³ /min (inch ³ /min)	Spindle speed r/min	Feedrate mm/min (ipm)	
48 (2.9)	222	107 (4.2)	
U-Drill (ø50mm (2.0 inch)) Carbon steel (SM45C)			
Chip removal rate cm ³ /min (inch ³ /min)	Spindle speed r/min	Feedrate mm/min (ipm)	
501 (30.6)	1500	255 (10.0)	
Tap Carbon steel (SM45C)			
Tap size mm	Spindle speed r/min	Feedrate mm/min (ipm)	
M 36 x P 4.0	221	884 (34.8)	

* The results, indicated in this catalogue are provided as an example only. They may not always be obtained due to differences in cutting environmental conditions.

* number of teeth

High productivity

* The results, indicated in this catalogue are provided as an example only. They may not always be obtained due to differences in cutting environmental conditions.

A total of 117 M3 tap processing and POCKET internal end mill finishing: Tool change 8 times during processing



Cutting time

A company model 8min. 43sec.

SVM 4100 5min. 54sec. (D300 CNC)

← Reduced by
32%

Mobile phone bracket (Company K)_7 tool changes during processing



Cutting time

A company model 1min. 45sec.

SVM 4100 1min. 25sec. (D300 CNC)

← Reduced by
19%

TOOL CHANGE SYSTEM

In order to reduce the non-cutting time between machining operations, the tool change time has been optimized compared to similar models.

Tool to tool time

1.3 s

Chip to chip* time

3.3 s

** The Chip-to-Chip time has been tested in accordance with DN Solutions's strict testing procedures, but may vary depending on different operating conditions.*



MAGAZINE

Tool storage capacity

30 ea



Brush (std.)

A barrier brush is used to prevent chip ingress into ATC area during machining.

ATC shutter option

An ATC shutter door can be specified instead of the brush to provide a higher level of protection from chip ingress.




STANDARD | OPTIONAL SPECIFICATIONS

Various optional features are available to satisfy customers' specific machining applications.

● Standard ○ Optional X Not applicable

Description	Features		SVM 4100 / SVM 5100L
Spindle	12000 r/min (Unit: kW(Hp), N·m(ft-lbs))	18.5/5.5 kW (24.8/7.4 Hp), 95.9 N.m (70.5 ft-lbs)	●
Magazine	Tool storage capacity	30 ea	●
Tool shank type	BIG PLUS BT40		●
	BIG PLUS CAT40		○
	BIG PLUS DIN40		○
FLOOD + BASE	200L/min (1.1kW)	SVM 4100	●
FLOOD	0.19MPa, 0.4kW	SVM 5100L	●
	0.69MPa, 1.1kW	SVM 5100L	○
Coolant	TSC	None	●
		20 bar (1.5kW)	○
		70 bar (5.5 kW)	○
	PFC (Programmable Flood Coolant)		○
	SHOWER (200 L/min)		○
	FLUSHING		○
	Coolant chiller		○
	Chip disposal	Chip conveyor	Chip pan
Hinged type (Left/Right)			○
Magnetic scraper type (Left/Right)			○
Chip bucket		○	
Air blower		○	
AIR GUN		○	
Coolant gun		○	
Mist collector		○	
Precision machining option	Linear scale	X / Y / Z axis	○
	HSCC (700 block)		●
	Spindle thermal compensation function	SENSORLESS TYPE	●
Measurement & Automation	Automatic tool measurement	TS27R_Renishaw	○
		ZX Speed_Blum	○
		OTS_Renishaw	○
		NC4_Renishaw	○
	Automatic tool breackage detection		○
	Automatic workpiece measurement	OMP60_Renishaw	○
TC50_Blum		○	
Automatic front door with safty edge		○	
4 axis Rotary table	S-200M4-DS	SVM 4100 / SVM 5100L	○
	S-250M8-DS	SVM 5100L	○
	S-320M8-DS	SVM 5100L	○
	4축 READY	CABLING FOR SERVO/I-PNEUMATIC PIPING	○
Accessories	LED LAMP		●
	3-COLOR SIGNAL TOWER(LED)		●
	Auto power off		○
Customized Special Option	ANCHORING	SLIDE CLAMP & CHEMINCAL ANCHOR BOLT	○
	Automatic tool measurement	LTS_Renishaw	○
	Automatic tool breackage detection	MSC/BK9(NEEDLE TYPE ON MAGAZINE)	○

*Please contact DN Solutions to select detail specifications

 Fire Safety Precautions | There is a high risk of fire when using non-water-soluble cutting fluids, processing flammable materials, neglecting the controlled and careful use of coolants and modifying the machine without the consent of the manufacturer. Always check the SAFETY GUIDELINES carefully before using the machine.

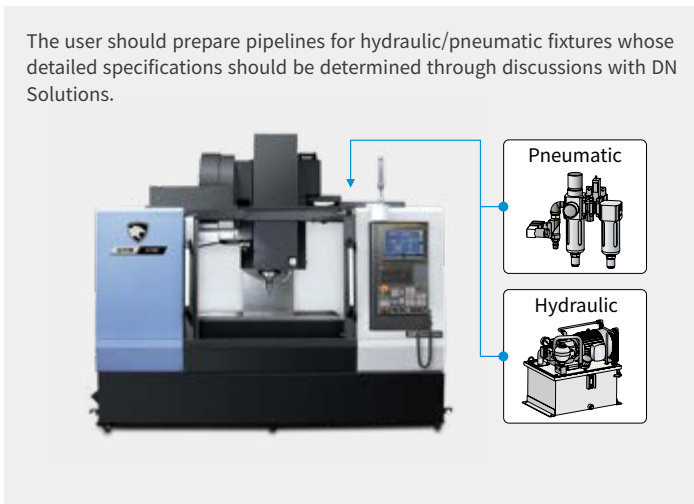
PERIPHERAL EQUIPMENT

Chip conveyor option

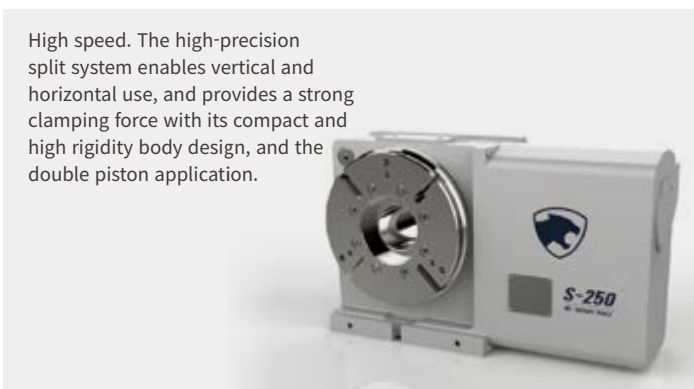


Chip conveyor type	Material	Description
Hinged belt	Steel	Hinged belt chip conveyor, which is most commonly used for steel work [for cleaning chips longer than 30mm(1.2inch)], is available as an option.
Magnetic scraper	Cast Iron	Magnetic scraper type chip conveyor, which is ideal for die-casting work [for cleaning small chips], is available as an option.

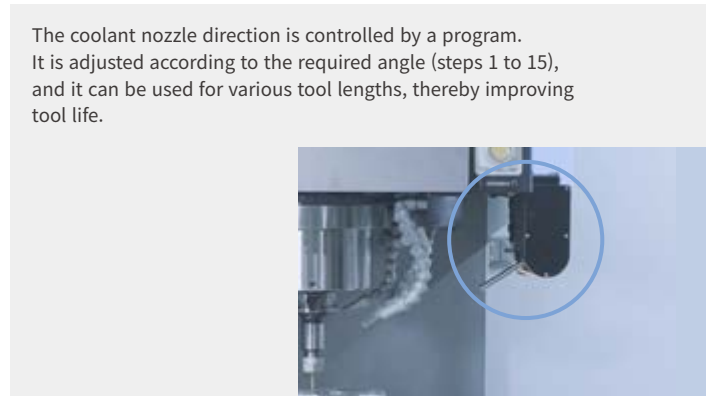
Hydraulic / Pneumatic fixture line option



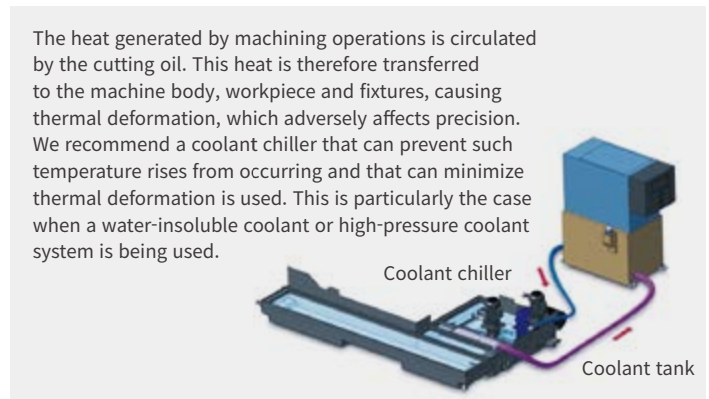
4 axis rotary table option



PFC(Programmable flood coolant)



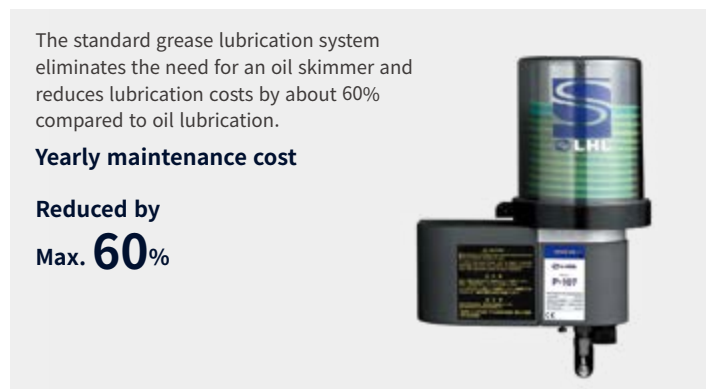
Coolant chiller option



Chip bucket option



Grease lubrication system



DN SOLUTIONS FANUC i PLUS

DN Solutions Fanuc i Plus is optimized for maximizing customer productivity and convenience.

15 inch screen + new operation panel

DN Solutions Fanuc i Plus' operation panel enhances operating convenience by incorporating common-design buttons and layout, and features the Qwerty keyboard for fast and easy operation.

DN Solutions Fanuc i Plus

- 15 inch color display
- Intuitive and user-friendly design

USB & PCMCIA card

QWERTY keyboard

- EZ-guide i standard
- Ergonomic operator panel
- 2MB Memory
- Hot key



iHMI touchscreen option

iHMI provides an intuitive interface that uses a touchscreen for quick and easy operation.

Range of applications

Providing various applications related to planning, machining, improvement and utility, for customer convenience.

NUMERIC CONTROL SPECIFICATIONS

FANUC

Item	Specifications	DN Solutions Fanuc i (0i PLUS) SVM 4100 / SVM 5100L
Controlled axis	Controlled axes	3 (X,Y,Z)
	Simultaneously controlled axes	3 axis
Data input/output	Additional controlled Axis	Add 1 Axis (5th Axis)
	Fast data server	○
	Memory card input/output	●
	USB memory input/output	●
	Large capacity memory(2GB)*2	Available Option only with 15" Touch LCD (iHMI Only) *2)
Interface function	Embedded Ethernet	●
	Fast Ethernet	○
	Enhanced Embedded Ethernet function	●
Operation	DNC operation	Included in RS232C interface.
	DNC operation with memory card	●
Program input	Workpiece coordinate system	G52 - G59
	Addition of workpiece coordinate system	G54.1 P1 X 48 (48 pairs)
	Tool number command	●
	Tilted working plane indexing command	G68.2 TWP
Feed function	AI contour control I	G5.1 Q, 40 Blocks
	AI contour control II	G5.1 Q, 200 Blocks
	AI contour control III	G5.1 Q, 600 Blocks
	AI contour control IV	G5.1 Q, 1000 Blocks *1)
	High smooth TCP	X
Operation guidance function	EZ Guidei (Conversational Programming Solution)	●
	iHMI with Machining Cycle	Only with 15" Touch LCD standard *2)
	EZ Operation package	●
Setting and display	CNC screen dual display function	●
Network	FANUC MTCConnect	⊕
	FANUC OPC UA	⊕
Others	Display unit	10.4" color LCD
		15" color LCD
		15" color LCD with Touch Panel
	Part program storage size & Number of registerable programs	640M(256KB)_500 programs
		1280M(512KB)_1000 programs
		2560M(1MB)_1000 programs
		5120M(2MB)_1000 programs
		10240M(4MB)_1000 programs
		20480M(8MB)_1000 programs
		2560M(1MB)_2000 programs
		5120M(2MB)_4000 programs
		10240M(4MB)_4000 programs
		20480M(8MB)_4000 programs

*1) The number of look-ahead blocks may be changed or limited depending on the peripheral device or the configuration of the internal NC system.

*2) Available Option only with Fanuc i plus iHMI

● Standard ○ Optional X N/A ⊕ Available
Network: FANUC MT Connect and FANUC OPC UA available.

EZ WORK

The software developed by DN Solutions features numerous functions designed for convenience and ease of operation.

EZ work

The EZ work delivers speed and efficiency. This menu-driven innovation not only helps customers reduce setup times, but also simplifies common tasks and procedures, reducing the potential for errors. EZ work reduces operating time, protects machinery, enhances quality and speeds up maintenance interventions.

Conversational convenient function



EZ work Main screen

On the operation panel, press the CUSTOM1 button to display the initial EZ work screen.



Tool management

This function controls information on the tools in the tool magazine pots.



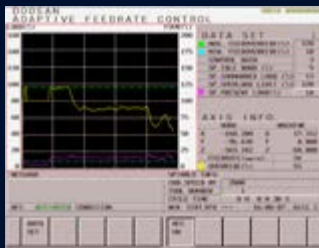
ATC recovery

In the event of an error during ATC (automatic tool changer) operations, follow the on-screen instructions for an easy and prompt solution.



Tool load monitoring

During cutting operations, abnormal loads caused by wear and tear of the tool are detected and an alarm is triggered to prevent further damage.



Adaptive Feed Control(AFC)

If tool overload is detected during operation, the feed rate is controlled to prevent the tool from being damaged.



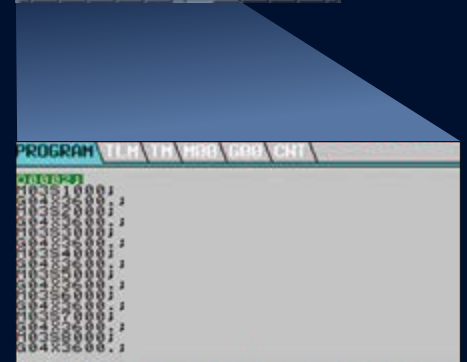
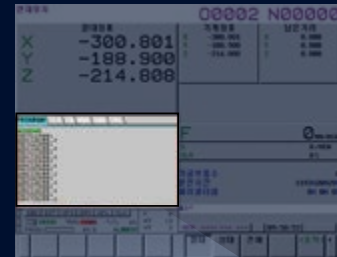
Thermal compensation function

A thermal error compensation function is provided as a standard feature to ensure stable cutting operations safe from potentially harmful environmental factors.

Pop-up function

Various EZ work functions can be monitored through the pop-up window on the NC main screen. (Press the CUSTOM2 button)

- 1 Display machining program
- 2 Tool Load Monitoring
- 3 Tool management data
- 4 M code list
- 5 G code list
- 6 Tool & Workpiece count



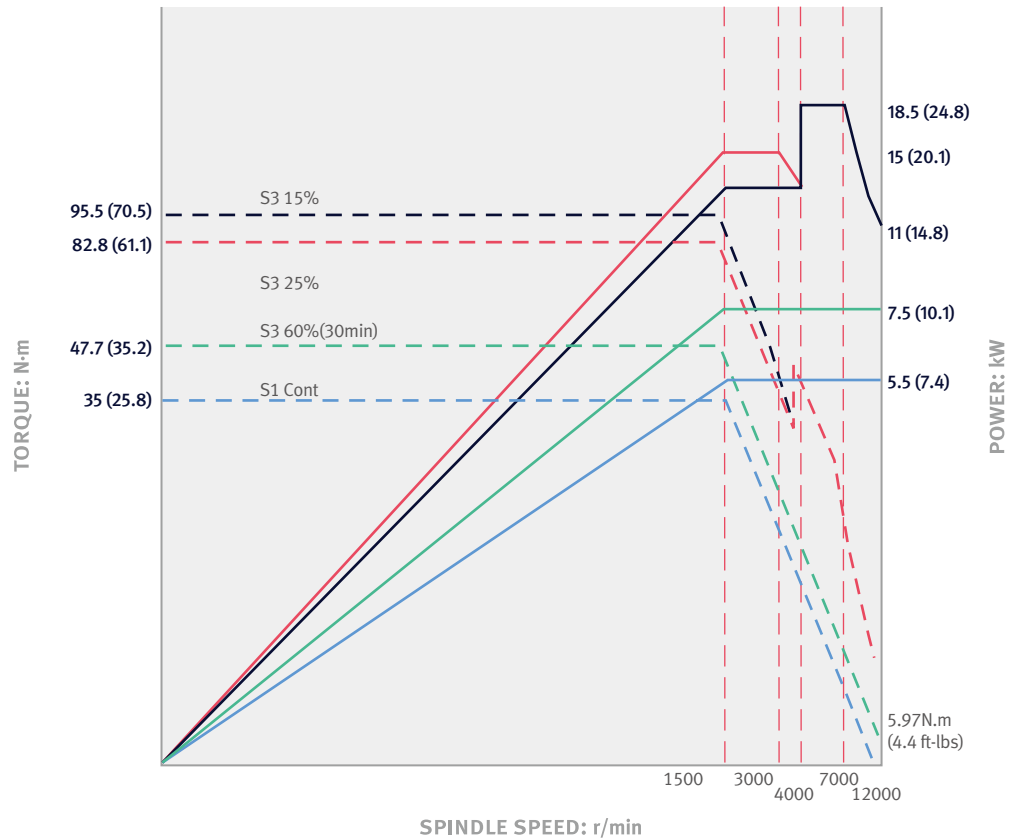
POWER | TORQUE

Torque

SPEED: **12000** r/min

POWER: **18.5** kW
24.8 hp

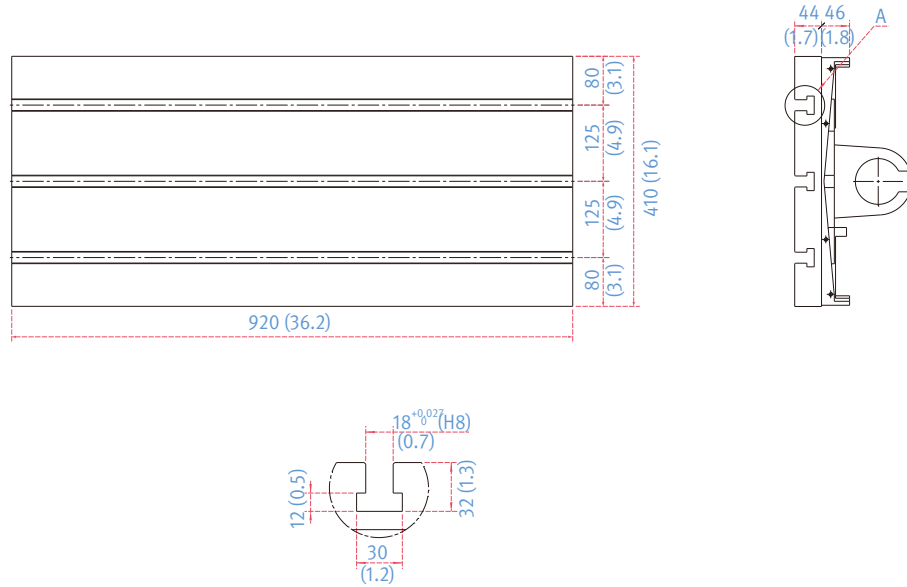
TORQUE: **95.5** N·m
70.5 ft-lbs



TABLE

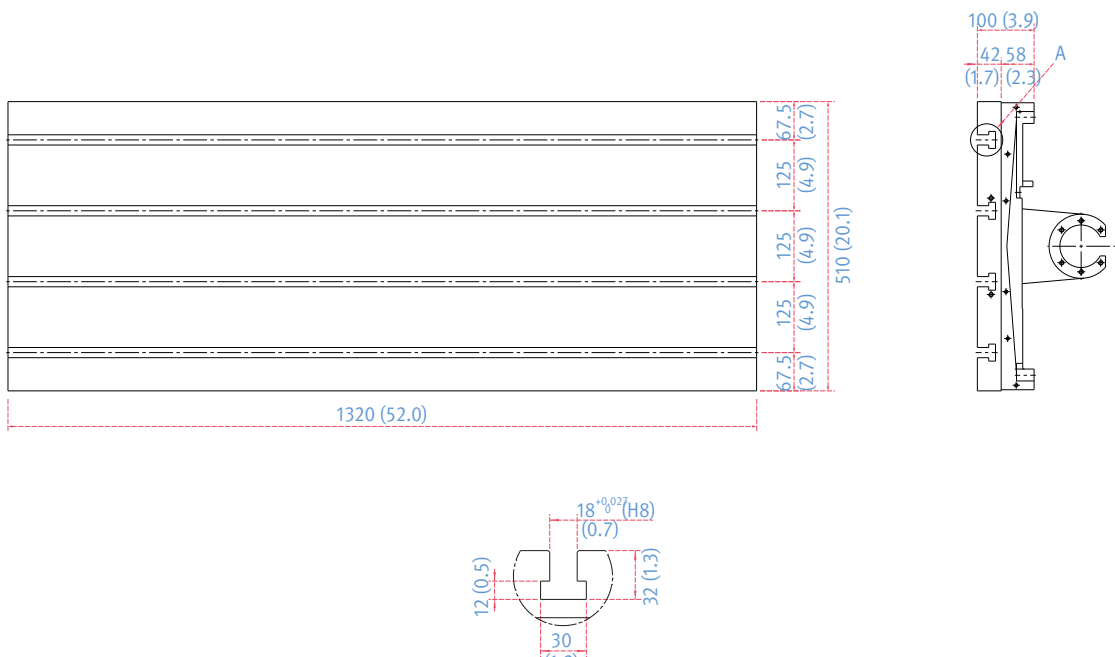
SVM 4100

Units : mm (inch)



SVM 5100L

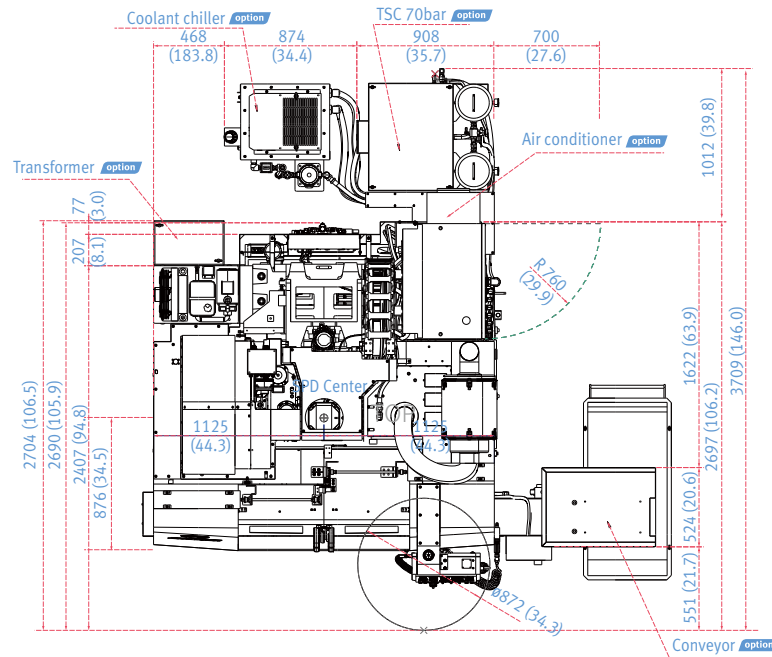
Units : mm (inch)



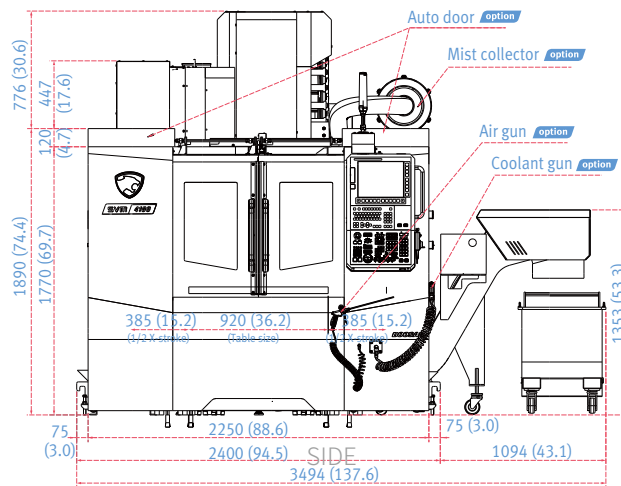
DIMENSIONS

SVM 4100

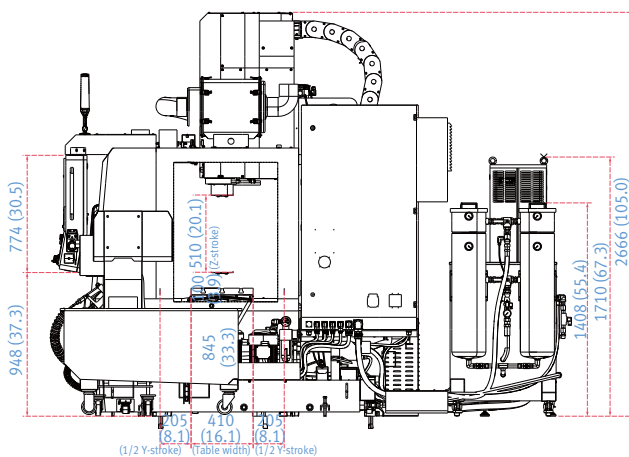
Units : mm (inch)



TOP



FRONT

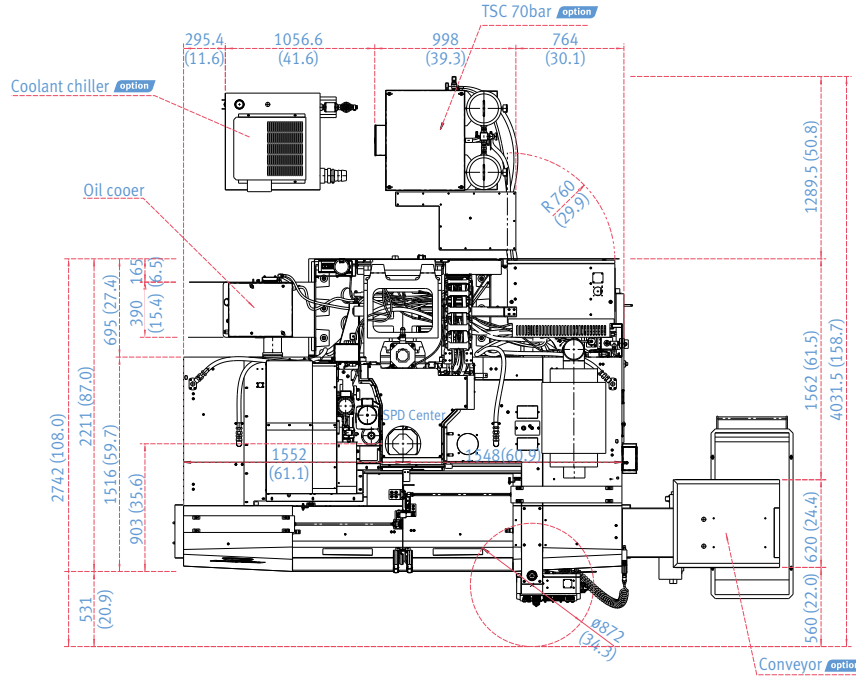


SIDE

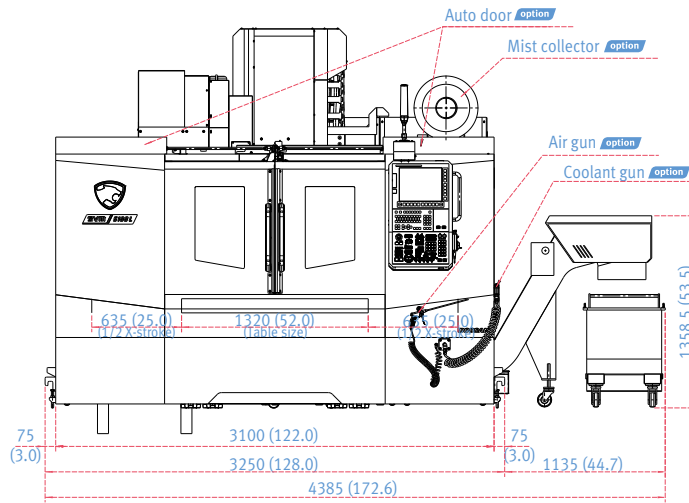
DIMENSIONS

SVM 5100L

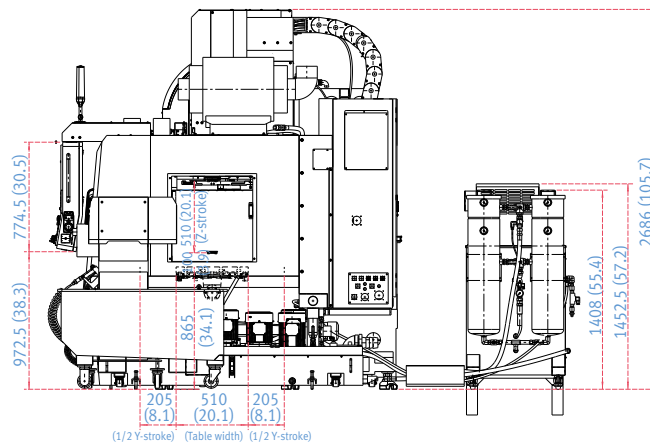
Units : mm (inch)



TOP



FRONT



SIDE

* Some peripheral equipment can be placed in other areas.

MACHINE SPECIFICATIONS

Description		Unit	SVM 4100	SVM 5100L	
Travels	Travel distance	X axis	mm (inch)	770 (30.3)	1270 (50.0)
		Y axis	mm (inch)	410 (16.1)	510 (20.1)
		Z axis	mm (inch)	510 (20.1)	510 (20.1)
	Distance from spindle nose to table top		mm (inch)	100~610 (3.9~24.0)	100~610 (3.9~24.0)
Table	Table size		mm (inch)	920 x 410 (36.2 x 16.1)	1320 X 510 (52.0x 20.1)
	Table loading capacity		kg (lb)	600 (1322.8)	800 (1763.7)
	Table surface type		mm	T-SLOT (3-125 x 18H8)	T-SLOT (4-125 x 18H8)
Spindle	Max. spindle speed		r/min	12000	12000
	Taper		-	ISO #40	ISO #40
	Max. spindle torque		N · m (ft-lbs)	95.5 (70.5)	95.5 (70.5)
	Max. spindle power (S3/continuous)		kW (Hp)	18.5/5.5 (24.8/7.4)	18.5/5.5 (24.8/7.4)
Feedrates	Rapid traverse rate	X axis	m/min (ipm)	36 (1417.3)	36 (1417.3)
		Y axis	m/min (ipm)	36 (1417.3)	36 (1417.3)
		Z axis	m/min (ipm)	36 (1417.3)	36 (1417.3)
Automatic tool changer	Type of tool shank		-	BT 40 {CAT/ DIN}	BT 40 {CAT/ DIN}
	Tool storage capa.		m/min (ipm)	30	30
	Max. tool diameter	Continuous	mm (inch)	80 (3.1)	80 (3.1)
		Without adjacent tools	mm (inch)	125 (4.9)	125 (4.9)
	Max. tool length		mm (inch)	300 (11.8)	300 (11.8)
	Max. tool weight		kg (lb)	6 (13.2)	6 (13.2)
	Tool selection			MEMORY RANDOM	MEMORY RANDOM
	Tool change time (Tool-to-tool)		sec	1.3	1.3
	Tool change time (Chip-to-chip)		sec	3.3	3.3
Motor	Coolant pump motor power		kW (Hp)	1.1 (1.5)	0.4 (0.54)
Power source	Electric power supply (rated capacity)		kVA	24.8	28.5
	Compressed air supply		MPa (psi)	0.54	0.54
Tank capacity	Coolant tank capacity		L (gal)	240 (63.4)	380 (100.4)
Machine dimensions	Height		mm (inch)	2661 (104.8)	2681 (105.6)
	Length		mm (inch)	2171 (85.5)	2210 (87.0)
	Width		mm (inch)	2250 (88.6)	3100 (122.0)
	Weight		kg (lb)	3850 (8487.7)	6500 (14329.8)
Control	NC system		-	DN Solutions CNC D300	DN Solutions CNC D300

{ } : option

The DN Solutions promise, MACHINE GREATNESS, has two important meanings. The first is simple: DN Solutions makes great machines. The second is a challenge to our end-users. With a product line that is this comprehensive, accurate and reliable, we equip our customers to machine greatness. The big question: *Why should you choose DN Solutions over other options?*

Here's why...



**MACHINE
GREATNESS™**



WHAT YOU MAKE AND HOW YOU MAKE IT MATTERS—SO MAKE IT
GREAT WITH DN SOLUTIONS.

UNBEATABLE MACHINES

You won't find a more comprehensive range or a better combination of value, performance and reliability anywhere else.

ROBUST PRODUCT LINE

We offer an impressive range of machine models and hundreds of configurations. Whatever your machining needs and requirements, there's a DN Solutions for you.

READILY AVAILABLE - ANYWHERE IN THE WORLD

Machining centres (including 5-axis machines), lathes, multi-tasking turning centres and mill-turn machines, and horizontal borers with best-in-class specifications are all available...ready to install.

EXPERT SERVICE

Our dedicated, experienced and knowledgeable team is totally committed to improving your productivity, growth and success.

CUSTOMER SUPPORT AND SERVICES

We're there for you whenever you need us.

We help our customers operate at maximum efficiency by providing them with a range of tried, tested and trusted services - from pre-sales consultancy to post-sales support.



FIELD SERVICES

- On-site service
- Machine installation and testing
- Scheduled preventive maintenance
- Machine repair service



PARTS SUPPLY

- Supplying a wide range of original DN Solutions spare parts
- Parts repair service



TRAINING

- Programming, machine setup and operation
- Electrical and mechanical maintenance
- Applications engineering



TECHNICAL SUPPORT

- Supports machining methods and technology
- Responds to technical queries
- Provides technical consultancy

RESPONDING TO CUSTOMERS ANYTIME, ANYWHERE

DN Solutions Global Network

DN Solutions provides systems-based professional support services, before and after the machine tool sale, by responding quickly and efficiently to customers. By supplying spare parts, product training, field service and technical support, we provide the expert care, attention and assistance our customers expect from a market leader.



Global sales and service support network

4	Corporations
155	Dealer networks
51	Technical centers Technical Center, Sales Support, Service Support, Parts Support
200	Service posts
3	Factories





dn-solutions.com

Head Office

22F T Tower, 30, Sowol-ro 2-gil
Jung-gu, Seoul, Korea, 04637

Tel: +82-2-6972-0370/0350
Fax: +82-2-6972-0400

DN Solutions America

19A Chapin Road, Pine Brook
New Jersey 07058, United States

Tel: +1-973-618-2500
Fax: +1-973-618-2501

DN Solutions Europe

Emdener Strasse 24, D-41540
Dormagen, Germany

Tel: +49-2133-5067-100
Fax: +49-2133-5067-111

DN Solutions India

No.82, Jakkuar Village
Yelahanka Hobli, Bangalore-560064

Tel: + 91-80-2205-6900
E-mail: india@dncompany.com

DN Solutions China

Room 101,201,301, Building 39 Xinzhuan
Highway No.258 Songjiang District
China Shanghai (201612)

Tel: +86 21-5445-1155
Fax: +86 21-6405-1472

Sales inquiry

sales@dncompany.com

* For more details, please contact DN Solutions.

* Specifications and information contained within this catalogue may be changed without prior notice.